



The new degree of comfort.®

Endeavor™ Line *Classic Plus*® Series iM Air Conditioners



This product meets a stringent set of our internally defined sustainability standards



RA16AZ

EcoNet® Enabled

Cooling Efficiencies up to: 17 SEER2/10.5 EER2

Nominal Sizes: 2 to 5 Tons [7.0 to 17.6 kW]

Cooling Capacities: 23.5 kBTU to 56 kBTU [6.9 to 16.4 kW]



The Bluetooth® word mark and logos are registered trademarks owned by Bluetooth SIG, Inc. and any use of such marks by Rheem® is under license. Other trademarks and trade names are those of their respective owners.

Table of Contents

| | |
|---|-------|
| Features & Benefits | 3 |
| Model Number Identification | 4 |
| General Data/Electrical Data | 5 |
| Accessories | 6 |
| Unit Dimensions | 7 |
| Clearances | 8 |
| Control Wiring | 9 |
| Application Guidelines..... | 9 |
| Refrigerant Line Size Information | 10-11 |
| Performance Data | 12 |
| Smart Home Systems | 13 |
| Limited Warranty | 16 |

Features and Benefits

- **EcoNet® Enabled:** Automatic system configuration and optimization
- **PlusOne® Diagnostics & Bluetooth®¹ Connectivity:** With the Rheem Contractor & EcoNet® Apps, built-in technology makes advanced set-up, monitoring, troubleshooting and repairing the product easier than ever before
- **PlusOne® Variable Speed Twin Rotary Compressor & Inverter Drive:** Features Inverter operation from 40 to 100% capacity with the EcoNet® Smart Thermostat
- **3-Speed Operation:** When installed with a 24V two-stage thermostat
- **Provides Precise Temperature Control:** Advanced humidity control and greater efficiency
- **Brushless DC Condenser Motors (BLDC):** Enhances reliability and allows for easier serviceability
- **Swept Wing Fan Technology:** Features quieter operation and improved unit acoustics
- **7mm Condenser Copper Coil:** Requires less refrigerant allowing for a smaller and lighter footprint while enhancing reliability
- **PlusOne® Expanded Valve Space:** 3 in. – 4in. – 5 in. service valve space—provides a minimum working area of 27-square inches for easier access
- **PlusOne® Triple Service Access:** 15 in. wide, industry leading corner service access, two fastener, removeable corner and individual louver panels—makes repairs easier and faster

¹The Bluetooth® word mark and logos are registered trademarks owned by Bluetooth SIG, Inc. and any use of such marks by Rheem® is under license. Other trademarks and trade names are those of their respective owners.

Air Conditioners

| <u>R</u> | <u>A</u> | <u>16</u> | <u>A</u> | <u>Z</u> | <u>24</u> | <u>A</u> | <u>J</u> | <u>3</u> | <u>C</u> | <u>A</u> | <u>LHP</u> |
|-----------|----------------------|---------------|----------|-------------|---|----------------|---------------------|--------------|-------------------|----------------|--------------|
| Brand | Product Category | SEER2 | Region | Refrigerant | Capacity BTU/HR | Major Series | Voltage | Type | Controls | Minor Series | Option Code |
| R - Rheem | A - Air Conditioners | 16 - 16 SEER2 | A - All | Z - R-410A | 24 - 24,000 [7.03 kW] 36 - 36,000 [10.55 kW] 48 - 48,000 [14.07 kW] 60 - 60,000 [17.58 kW] | A - 1st Design | J - 1ph, 208-230/60 | 3 - 3+ Stage | C - Communicating | A - 1st Design | LHP - W/HLPC |

[] Designates Metric Conversions

| AVAILABLE MODELS | DESCRIPTION |
|------------------|--|
| RA16AZ24AJ3CA | Endeavor™ Line <i>Classic Plus</i> ® Series 2 ton EcoNet® Enabled 3+ Speed iM Air Conditioner – 208/230/1/60 |
| RA16AZ36AJ3CA | Endeavor™ Line <i>Classic Plus</i> ® Series 3 ton EcoNet® Enabled 3+ Speed iM Air Conditioner – 208/230/1/60 |
| RA16AZ48AJ3CA | Endeavor™ Line <i>Classic Plus</i> ® Series 4 ton EcoNet® Enabled 3+ Speed iM Air Conditioner – 208/230/1/60 |
| RA16AZ60AJ3CA | Endeavor™ Line <i>Classic Plus</i> ® Series 5 ton EcoNet® Enabled 3+ Speed iM Air Conditioner – 208/230/1/60 |

| STANDARD EQUIPMENT |
|-------------------------------------|
| R-410A Refrigerant |
| Scroll Compressor |
| Field Installed Filter Drier |
| Front Seating Service Valves |
| Internal Pressure Relief Valve |
| Internal Thermal Overload |
| Long Line capability |
| Low Ambient capability with Kit |
| 3-4-5 Expanded Valve Space |
| Composite Basepan |
| 2 Screw Control Box Access |
| 15" Access to Internal Components |
| Quick release louver panel design |
| No fasteners to remove along bottom |
| Optimized Venturi Airflow |
| Single row condenser coil |
| Powder coated paint |
| Rust resistant screws |
| QR code |
| External gauge ports |
| Service trays |

*5T Model SEER2: 15.5 SEER2

| General Data | | | | |
|--|---------------------|---------------------|---------------------|---------------------|
| MODEL NO. | RA16AZ24AJ3 | RA16AZ36AJ3 | RA16AZ48AJ3 | RA16AZ60AJ3 |
| Nominal Tonnage | 2.0 | 3.0 | 4.0 | 5.0 |
| Valve Connections | | | | |
| Liquid Line O.D. – in. | 3/8 | 3/8 | 3/8 | 3/8 |
| Suction Line O.D. – in. | 3/4 | 3/4 | 7/8 | 7/8 |
| Refrigerant (R410A) furnished oz.¹ | 91 | 119 | 130 | 154 |
| Compressor Type | Twin Rotary | | | |
| Outdoor Coil | | | | |
| Net face area – Outer Coil | 11.79 | 14.4 | 16.42 | 17.88 |
| Net face area – Inner Coil | — | — | — | — |
| Tube diameter – in. | 0.276 | 0.276 | 0.276 | 0.276 |
| Number of rows | 1 | 1 | 1 | 1 |
| Fins per inch | 24 | 24 | 24 | 24 |
| Outdoor Fan | | | | |
| Diameter – in. | 20 | 24 | 24 | 26 |
| Number of blades | 3 | 3 | 3 | 3 |
| Motor hp | 1/5 | 1/5 | 1/3 | 1/2 |
| CFM | 2883 | 4138 | 4508 | 5348 |
| RPM | 1075 | 1000 | 1075 | 1075 |
| watts | 168 | 267 | 297 | 379 |
| Shipping weight – lbs. | 153 | 157 | 195 | 211 |
| Operating weight – lbs. | 146 | 150 | 188 | 204 |
| Electrical Data | | | | |
| Line Voltage Data (Volts-Phase-Hz) | 208/230-1-60 | 208/230-1-60 | 208/230-1-60 | 208/230-1-60 |
| Maximum overcurrent protection (amps)² | 20 | 30 | 40 | 50 |
| Minimum circuit ampacity³ | 12 | 20 | 25 | 32 |
| Compressor | | | | |
| Rated load amps | 10 | 15 | 20 | 25 |
| Locked rotor amps | 65 | 70 | 96 | 119 |

¹Refrigerant charge sufficient for 15 ft. length of refrigerant lines. For longer line set requirements see the installation instructions for information about set length and additional refrigerant charge required.

²HACR type circuit breaker or fuse.

³Refer to National Electrical Code manual to determine wire, fuse and disconnect size requirements.

Accessories

| MODEL NO. | | RA16AZ24AJ3 | RA16AZ36AJ3 | RA16AZ48AJ3 | RA16AZ60AJ3 |
|---|----------------|-------------------|-------------------|-------------------|-------------------|
| Compressor crankcase heater* | | X | X | X | X |
| Low ambient control | | Factory Installed | Factory Installed | Factory Installed | Factory Installed |
| Compressor sound cover | | Factory Installed | Factory Installed | Factory Installed | Factory Installed |
| Compressor hard start kit | | Factory Installed | Factory Installed | Factory Installed | Factory Installed |
| Compressor time delay | | Factory Installed | Factory Installed | Factory Installed | Factory Installed |
| Low pressure control | | X | X | X | X |
| High pressure control | | Factory Installed | Factory Installed | Factory Installed | Factory Installed |
| Liquid Line Solenoid (24 VAC, 50/60 Hz) | Solenoid Valve | 200RD2T3TVLC | 200RD2T3TVLC | 200RD2T3TVLC | 200RD2T3TVLC |
| | Solenoid Coil | 61-AMG24V | 61-AMG24V | 61-AMG24V | 61-AMG24V |
| Liquid Line Solenoid (120/240 VAC, 50/60 Hz) | Solenoid Valve | 200RD2T3TVLC | 200RD2T3TVLC | 200RD2T3TVLC | 200RD2T3TVLC |
| | Solenoid Coil | 61-AMG120/240V | 61-AMG120/240V | 61-AMG120/240V | 61-AMG120/240V |

*Crankcase Heater recommended with Low Ambient Kit.

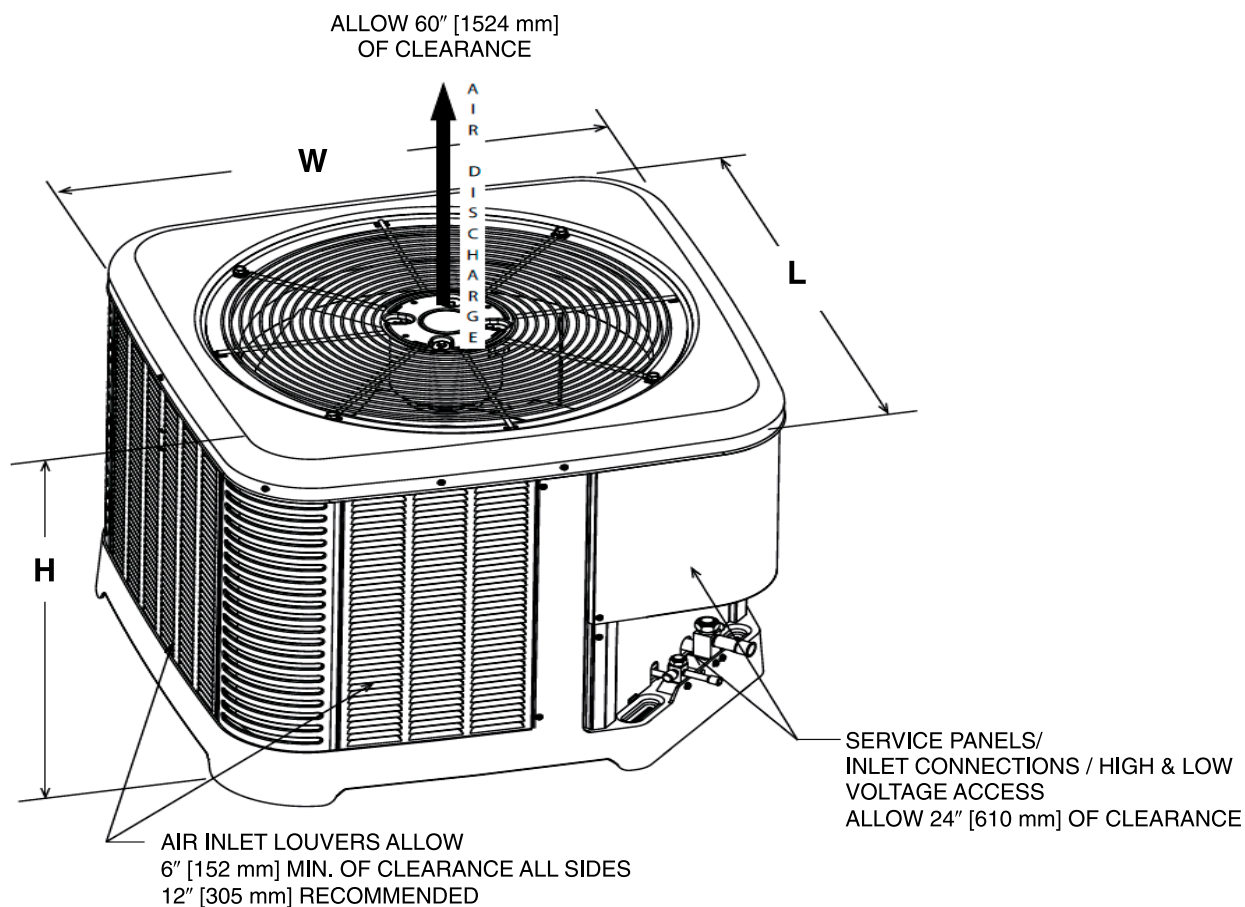
Weighted Sound Power Level (dBA)

| UNIT SIZE - VOLTAGE, SERIES | STANDARD RATING (DBA) | TYPICAL OCTAVE BAND SPECTRUM (DBA WITHOUT TONE ADJUSTMENT) | | | | | | | SOUND POWER LEVEL (DB(A)) WITH SOUND BLANKET |
|--------------------------------|--------------------------|--|------|------|------|------|------|------|---|
| | | 125 | 250 | 500 | 1000 | 2000 | 4000 | 8000 | |
| RA16AZ24AJ3 | 63.3 | 35.9 | 47.9 | 55.3 | 53.2 | 50.4 | 47.1 | 43.8 | Sound Blankets - Standard |
| | 71.7 | 46.1 | 59.1 | 63.2 | 60.8 | 58.7 | 56.5 | 47.9 | |
| RA16AZ36AJ3 | 61.4 | 38.5 | 48.0 | 53.8 | 49.2 | 45.9 | 47.0 | 47.4 | |
| | 72.9 | 47.5 | 59.5 | 64.9 | 60.7 | 62.6 | 57.0 | 49.6 | |
| RA16AZ48AJ3 | 63.8 | 42.3 | 45.9 | 53.5 | 48.9 | 45.8 | 59.1 | 36.4 | |
| | 76.2 | 49.4 | 61.4 | 68.1 | 53.9 | 60.8 | 57.4 | 48.5 | |
| RA16AZ60AJ3 | 65.7 | 39.7 | 49.0 | 58.2 | 54.5 | 52.2 | 53.8 | 41.3 | |
| | 76.7 | 49.3 | 64.6 | 68.1 | 65.1 | 62.6 | 58.6 | 53.0 | |

NOTE: Tested in accordance with AHRI Standard 270-08 (not listed in AHRI)

Unit Dimensions

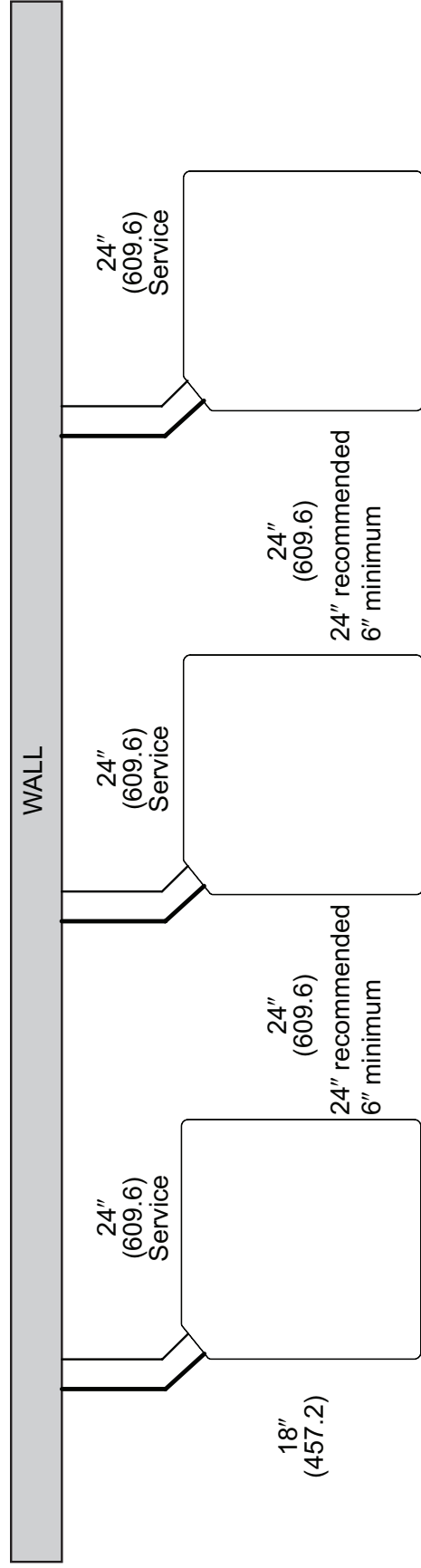
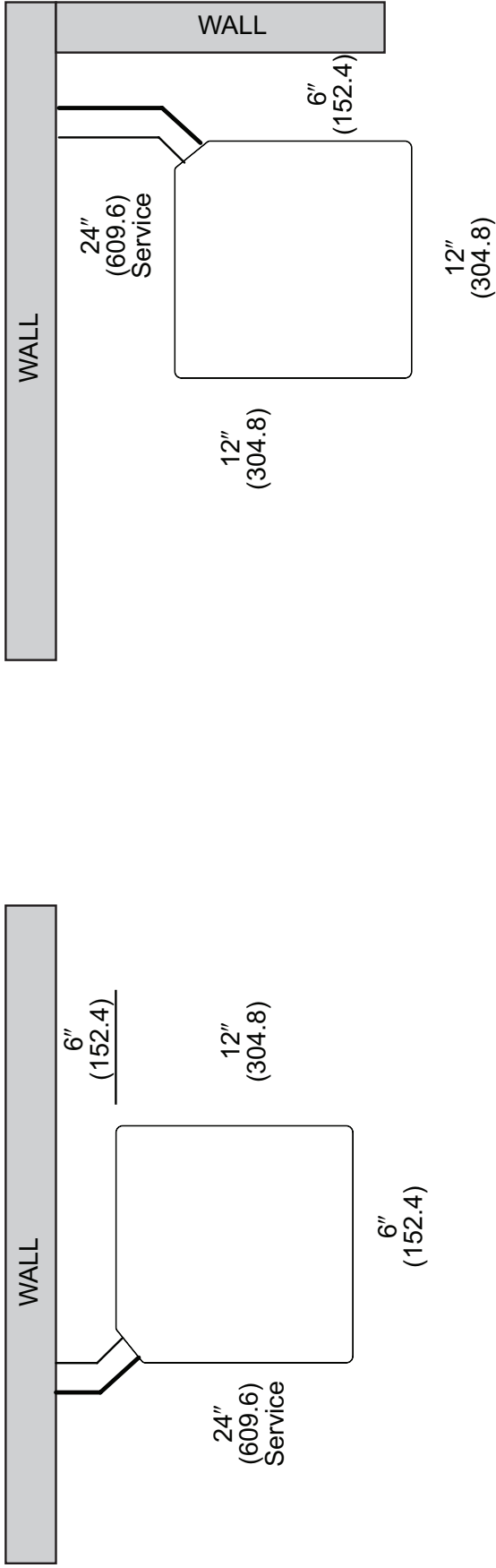
| MODEL NO. | OPERATING | | | | | | SHIPPING | | | | | |
|-------------|------------|-----|------------|-----|-----------|-----|------------|-----|------------|-----|-----------|-----|
| | H (Height) | | L (Length) | | W (Width) | | H (Height) | | L (Length) | | W (Width) | |
| | INCHES | mm | INCHES | mm | INCHES | mm | INCHES | mm | INCHES | mm | INCHES | mm |
| RA16AZ24AJ3 | 27.00 | 686 | 29.75 | 756 | 29.75 | 756 | 28.50 | 724 | 32.38 | 822 | 32.38 | 822 |
| RA16AZ36AJ3 | 27.00 | 686 | 33.75 | 857 | 33.75 | 857 | 28.50 | 724 | 36.38 | 924 | 36.38 | 924 |
| RA16AZ48AJ3 | 31.00 | 787 | 33.75 | 857 | 33.75 | 857 | 32.50 | 826 | 36.38 | 924 | 36.38 | 924 |
| RA16AZ60AJ3 | 31.00 | 787 | 35.75 | 908 | 35.75 | 908 | 32.50 | 826 | 38.38 | 975 | 38.38 | 975 |



[] Designates Metric Conversions

ST-A1226-02-00

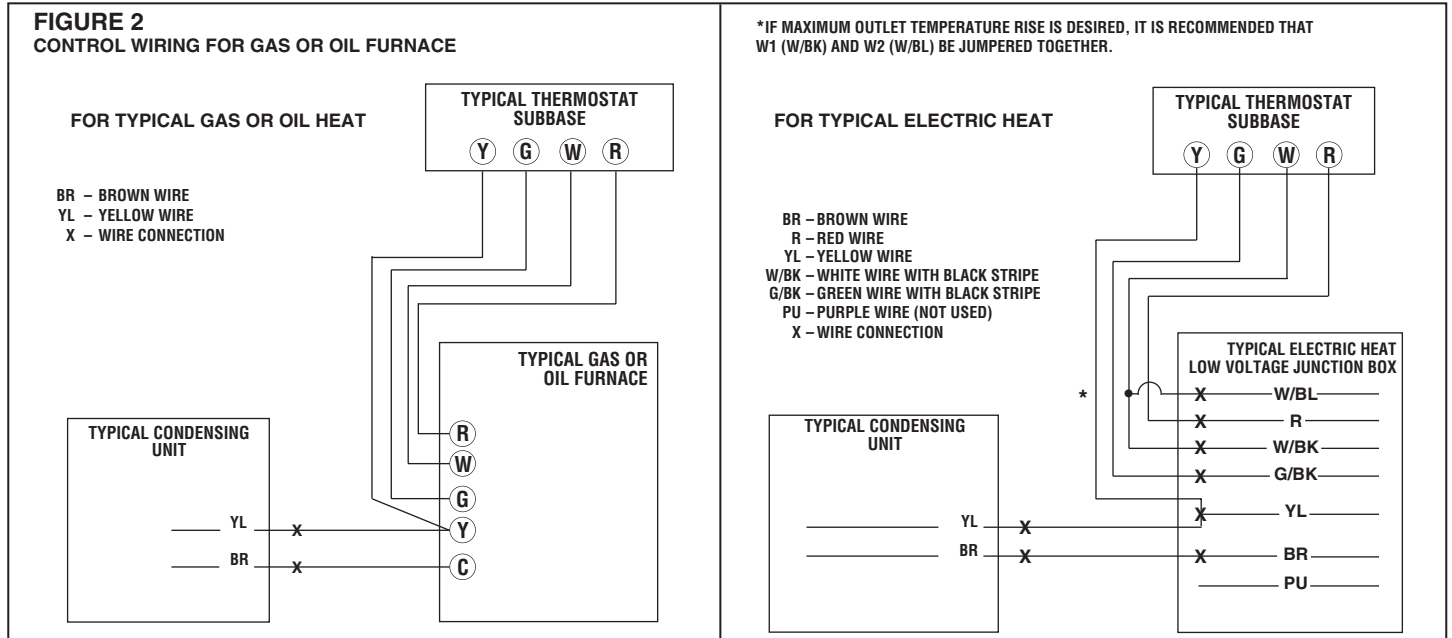
CLEARANCES



NOTE: NUMBERS IN () = mm

IMPORTANT: When installing multiple units in an alcove, roof well or partially enclosed area, ensure there is adequate ventilation to prevent re-circulation of discharge air.

Control Wiring



Application Guidelines

1. Intended for outdoor installation with free air inlet and outlet. Outdoor fan external static pressure available is less than 0.01 -in. wc.
2. Minimum outdoor operation air temperature for cooling mode without low-ambient operation accessory is 55°F (12.8°C).
3. Maximum outdoor operating air temperature is 125°F (51.7°C).
4. For reliable operation, unit should be level in all horizontal planes.
5. Use only copper wire for electric connections at unit. Aluminum and clad aluminum are not acceptable for the type of connector provided.
6. Do not apply capillary tube indoor coils to these units.
7. Factory-supplied filter drier must be installed.

Refrigerant Line Size Information

| 15/16 SEER2 VARIABLE SPEED AIR CONDITIONERS | | | | | | | | |
|---|----------------------------|---------------------------|--|---------|---------|---------|---------|---------|
| UNIT SIZE | ALLOWABLE LIQUID LINE SIZE | ALLOWABLE VAPOR LINE SIZE | OUTDOOR UNIT ABOVE OR BELOW INDOOR UNIT EQUIVALENT LENGTH (FEET) | | | | | |
| | | | < 25 | 26-50 | 51-75 | 76-100 | 101-125 | 126-150 |
| | | | MAXIMUM VERTICAL SEPARATION / CAPACITY MULTIPLIER | | | | | |
| 2.0 Ton **SEE NOTE 3 | 1/4" | 5/8" | 25/1.00 | 50/0.99 | 32/0.98 | 40/0.97 | NR | NR |
| | 5/16" | 5/8" | 25/1.00 | 50/0.99 | 50/0.98 | 50/0.97 | 50/0.96 | 50/0.95 |
| | 3/8" | 5/8" | 25/1.00 | 50/0.99 | 50/0.98 | 50/0.97 | 50/0.96 | 50/0.95 |
| | 1/4" | 3/4" | 25/1.00 | 50/1.00 | 32/0.99 | 40/0.99 | NR | NR |
| | 5/16" | 3/4" | 25/1.00 | 50/1.00 | 50/0.99 | 50/0.99 | 50/0.99 | 50/0.98 |
| | 3/8" | 3/4" | 25/1.00 | 50/1.00 | 50/0.99 | 50/0.99 | 50/0.99 | 50/0.98 |
| 3 Ton | 5/16" | 5/8" | 25/0.99 | 50/0.97 | 50/0.95 | 50/0.93 | 37/0.91 | NR |
| | 3/8" | 5/8" | 25/0.99 | 50/0.97 | 50/0.95 | 50/0.93 | 50/0.91 | NR |
| | 5/16" | 3/4" | 25/1.00 | 50/0.99 | 50/0.99 | 50/0.98 | 37/0.97 | 22/0.96 |
| | 3/8" | 3/4" | 25/1.00 | 50/0.99 | 50/0.99 | 50/0.98 | 50/0.97 | 50/0.96 |
| | 1/2" | 3/4" | 25/1.00 | 50/0.99 | 50/0.99 | 50/0.98 | 50/0.97 | 50/0.96 |
| 4 Ton | 3/8" | 3/4" | 25/0.99 | 50/0.98 | 50/0.97 | 50/0.96 | 50/0.94 | 50/0.93 |
| | 1/2" | 3/4" | 25/0.99 | 50/0.98 | 50/0.97 | 50/0.96 | 50/0.94 | 50/0.93 |
| | 3/8" | 7/8" | 25/1.00 | 50/0.99 | 50/0.99 | 50/0.98 | 50/0.98 | 50/0.97 |
| | 1/2" | 7/8" | 25/1.00 | 50/0.99 | 50/0.99 | 50/0.98 | 50/0.98 | 50/0.97 |
| 5 Ton | 3/8" | 3/4" | 25/0.99 | 50/0.97 | 50/0.95 | 50/0.93 | 50/0.91 | NR |
| | 1/2" | 3/4" | 25/0.99 | 50/0.97 | 50/0.95 | 50/0.93 | 50/0.91 | NR |
| | 3/8" | 7/8" | 25/1.00 | 50/0.99 | 50/0.98 | 50/0.98 | 50/0.97 | 38/0.96 |
| | 1/2" | 7/8" | 25/1.00 | 50/0.99 | 50/0.98 | 50/0.98 | 50/0.97 | 50/0.96 |

NOTES:

- 1) Do not exceed 150 ft. linear line length.
- 2) *Do not exceed 50 ft. vertical separation if outdoor unit is above indoor unit.
- 3) **3/4" suction line should only be used for 2 ton systems if outdoor unit is below or at same level as indoor to assure proper oil return.
- 4) Always use the smallest liquid line allowable to minimize refrigerant charge.
- 5) Applications shaded in light gray indicate capacity multipliers between 0.90 and 0.96 which are not recommended, but are allowed.
- 6) Applications shaded in dark gray are not recommended due to excessive liquid or suction pressure drop.

Refrigerant Line Size Information (Con't.)

| 15/16 SEER2 VARIABLE SPEED AIR CONDITIONERS | | | | | | | | |
|---|----------------------------|---------------------------|--|---------|---------|---------|---------|---------|
| UNIT SIZE | ALLOWABLE LIQUID LINE SIZE | ALLOWABLE VAPOR LINE SIZE | OUTDOOR UNIT ABOVE OR BELOW INDOOR UNIT EQUIVALENT LENGTH (METERS) | | | | | |
| | | | < 25 | 26-50 | 51-75 | 76-100 | 101-125 | 126-150 |
| | | | MAXIMUM VERTICAL SEPARATION / CAPACITY MULTIPLIER | | | | | |
| 2.0 Ton **SEE NOTE 3 | 6.35 [1/4] | 15.88 [5/8] | 8/1.00 | 15/0.99 | 10/0.98 | 10/0.97 | NR | NR |
| | 7.94 [5/16] | 15.88 [5/8] | 8/1.00 | 15/0.99 | 15/0.98 | 15/0.97 | 15/0.96 | 15/0.95 |
| | 9.53 [3/8] | 15.88 [5/8] | 8/1.00 | 15/0.99 | 15/0.98 | 15/0.97 | 15/0.96 | 15/0.95 |
| | 6.35 [1/4] | 19.05 [3/4]** | 8/1.00 | 15/0.99 | 10/0.99 | 12/0.99 | NR | NR |
| | 7.94 [5/16] | 19.05 [3/4]** | 8/1.00 | 15/0.99 | 15/0.99 | 15/0.99 | 15/0.99 | 15/0.98 |
| | 9.53 [3/8] | 19.05 [3/4]** | 8/1.00 | 15/0.99 | 15/0.99 | 15/0.99 | 15/0.99 | 15/0.98 |
| 3 Ton | 7.94 [5/16] | 15.88 [5/8] | 8/0.99 | 15/0.97 | 15/0.95 | 15/0.93 | 11/0.91 | NR |
| | 9.53 [3/8] | 15.88 [5/8] | 8/0.99 | 15/0.97 | 15/0.95 | 15/0.93 | 15/0.91 | NR |
| | 7.94 [5/16] | 19.05 [3/4] | 8/1.00 | 15/0.99 | 15/0.99 | 15/0.98 | 11/0.97 | 7/0.96 |
| | 9.53 [3/8] | 19.05 [3/4] | 8/1.00 | 15/0.99 | 15/0.99 | 15/0.98 | 15/0.97 | 15/0.96 |
| | 12.7 [1/2] | 19.05 [3/4] | 8/1.00 | 15/0.99 | 15/0.99 | 15/0.98 | 15/0.97 | 15/0.96 |
| 4 Ton | 9.53 [3/8] | 19.05 [3/4] | 8/0.99 | 15/0.98 | 15/0.97 | 15/0.96 | 15/0.94 | 15/0.93 |
| | 12.7 [1/2] | 19.05 [3/4] | 8/0.99 | 15/0.98 | 15/0.97 | 15/0.96 | 15/0.94 | 15/0.93 |
| | 9.53 [3/8] | 22.23 [7/8] | 8/1.00 | 15/0.99 | 15/0.99 | 15/0.98 | 15/0.98 | 15/0.97 |
| | 12.7 [1/2] | 22.23 [7/8] | 8/1.00 | 15/0.99 | 15/0.99 | 15/0.98 | 15/0.98 | 15/0.97 |
| 5 Ton | 9.53 [3/8] | 19.05 [3/4] | 8/0.99 | 15/0.97 | 15/0.95 | 15/0.93 | 15/0.91 | NR |
| | 12.7 [1/2] | 19.05 [3/4] | 8/0.99 | 15/0.97 | 15/0.95 | 15/0.93 | 15/0.91 | NR |
| | 9.53 [3/8] | 22.23 [7/8] | 8/1.00 | 15/0.99 | 15/0.98 | 15/0.98 | 15/0.97 | 12/0.96 |
| | 12.7 [1/2] | 22.23 [7/8] | 8/1.00 | 15/0.99 | 15/0.98 | 15/0.98 | 15/0.97 | 15/0.97 |

NOTES:

- 1) Do not exceed 46 meters linear line length.
- 2) *Do not exceed 15 meters vertical separation between indoor and outdoor units.
- 3) **19.05mm [3/4"] vapor line should only be used for 2 ton systems if outdoor unit is below or at same level as indoor unit to assure proper oil return.
- 4) Always use the smallest liquid line allowable to minimize refrigerant charge.
- 5) Applications shaded in light gray indicate capacity multipliers between 0.90 and 0.96 which are not recommended, but are allowed.
- 6) Applications shaded in dark gray are not recommended due to excessive liquid or suction pressure drop.

| ADDITIONAL OIL, OZ. | | | | | | | | | | | |
|---------------------|-----|-----|-----|-----|-----|-----|-----|-----|-----|-----|-----|
| LINESET LENGTH | 50 | 60 | 70 | 80 | 90 | 100 | 110 | 120 | 130 | 140 | 150 |
| 2T | N/A | N/A | N/A | N/A | N/A | 1 | 2 | 3 | 5 | 6 | 7 |
| 3T | N/A | N/A | N/A | N/A | N/A | N/A | 1 | 2 | 3 | 5 | 6 |
| 4T | N/A | N/A | N/A | N/A | N/A | N/A | N/A | N/A | N/A | N/A | N/A |
| 5T | N/A | N/A | N/A | N/A | N/A | N/A | N/A | N/A | N/A | N/A | N/A |

Performance Data @ AHRI Standard Conditions – Cooling

| DESIGNATED TESTED COMBINATION (DTC) | | | | | | | |
|-------------------------------------|----------------|------------------------------|----------------------------|--------------------------|-------|------|---------------------|
| OUTDOOR UNIT | INDOOR COIL | TOTAL CAPACITY BTU/H [KW] | NET SENSIBLE BTU/H [KW] | NET LATENT BTU/H [KW] | SEER2 | EER2 | INDOOR CFM [L/S] |
| RA16AZ24AJ3C | RH3VZ2417STACN | 22,800 [6.7] | 17,600 [5.2] | 5,200 [1.5] | 16.0 | 10.5 | 750 [354.0] |
| RA16AZ36AJ3C | RH3VZ3617STACN | 34,200 [10.0] | 26,600 [7.8] | 7,600 [2.2] | 16.0 | 10.5 | 1,125 [530.9] |
| RA16AZ48AJ3C | RH3VZ4821STACN | 45,500 [13.3] | 35,500 [10.4] | 10,000 [2.9] | 16.0 | 10.5 | 1,425 [672.5] |
| RA16AZ60AJ3C | RH3VZ6024STACN | 55,500 [16.3] | 43,000 [12.6] | 12,500 [3.7] | 15.5 | 9.8 | 1,675 [790.5] |

NOTE: This data includes DTC (Designated Test Combination) ratings and is for reference purposes only. A full listing of official ratings and system match-ups, along with downloadable certificates, can be accessed from the AHRI website: www.ahridirectory.org.

[] Designates Metric Conversions

Integrated Controls



EcoNet® is smart, technology developed exclusively by Rheem that allows Heating, Cooling, and Water Heating products to communicate with each other on one integrated network.

THE ECONET® SMART THERMOSTAT

BUILT-IN WIFI

4.3" LCD TOUCH SCREEN

LOCAL WEATHER – Current conditions plus 6-day forecast

5 OPERATING MODES – Heat, Cool, Auto, Emergency Heat and Fan Only

7-DAY PROGRAMMABLE SCHEDULE – Offers comfort without thought

ONE-TOUCH AWAY – Quickly switch to your energy-saving away preferences

VACATION SCHEDULING – Allows you to save while you're away and come home to comfort

STANDBY SCREEN – Displays indoor temperature and current weather



RETST800SYS

OPERATIONAL FEATURES

AUTOMATIC CHANGEOVER – Transitions between heating and cooling automatically to keep the house comfortable

INTEGRATED WATER CONTROL – Enables easy water heater management

SMOOTH ARRIVAL – Prompts the system to start ahead of schedule to ensure the home is at the desired temperature at the scheduled time

HUMIDITY CONTROL – Supports humidifier accessories or over-cool based dehumidification

DETAILED OPERATING STATUS – View pertinent equipment status information and run times

CONTINUOUS FAN – Offers 5 speeds (Low, Medium Low, Medium, Medium High, High)

SHORT-CYCLE PROTECTION – Avoids damage to equipment from short run cycles

MONITORING & REMOTE CONTROL FEATURES

ACTIVE MONITORING – Alerts to problems that need immediate attention

REMOTE CONTROL – Allows adjusting of comfort and settings from anywhere using a mobile device

SERVICE ALERTS – Sends routine maintenance reminders

AIR FILTER MONITORING – Detects when it's time to replace the air filter

ALARM HISTORY – Displays time-stamped alarm codes with clear descriptions



The new degree of comfort®

GENERAL TERMS OF LIMITED WARRANTY*

Rheem will furnish a replacement for any part of this product which fails in normal use and service within the applicable period stated, in accordance with the terms of the limited warranty.

***For complete details of the Limited and Conditional Warranties, including applicable terms and conditions, contact your local contractor or the Manufacturer for a copy of the product warranty certificate.**

Conditional Unit Replacement
(Registration Required)..... Ten (10) Years
Parts Ten (10) Years

Before proceeding with installation, refer to installation instructions packaged with each model, as well as complying with all Federal, State, Provincial, and Local codes, regulations, and practices.

© 2023 Rheem Manufacturing Company. Rheem trademarks owned by Rheem Manufacturing Company.

In keeping with its policy of continuous progress and product improvement, Rheem reserves the right to make changes without notice.

Rheem Heating, Cooling & Water Heating • 5600 Old Greenwood Road
Fort Smith, Arkansas 72908 • www.rheem.com

Rheem Canada Ltd./Ltée • 125 Edgeware Road, Unit 1
Brampton, Ontario • L6Y 0P5 • rheem.ca